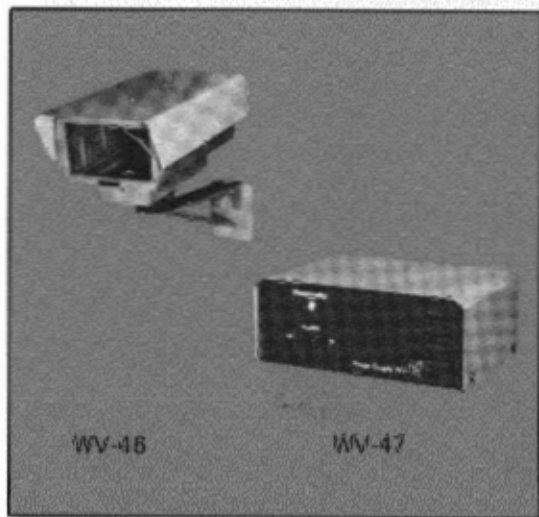


Drip Proof Fan/Heater Housing, Power Supply

WV-46/KT

Installation Instructions



WV-46

WV-47

Panasonic[®]

*Before attempting to connect or operate this product, please read these instructions completely.



CAUTION
RISK OF ELECTRIC SHOCK
DO NOT OPEN



CAUTION: TO REDUCE THE RISK OF ELECTRIC SHOCK, DO NOT REMOVE COVER (OR BACK). NO USER-SERVICEABLE PARTS INSIDE. REFER SERVICING TO QUALIFIED SERVICE PERSONNEL.



SA 1965

The lightning flash with arrowhead symbol, within an equilateral triangle, is intended to alert the user to the presence of uninsulated "dangerous voltage" within the product's enclosure that may be of sufficient magnitude to constitute a risk of electric shock to persons.



SA 1966

The exclamation point within an equilateral triangle is intended to alert the user to the presence of important operating and maintenance (servicing) instructions in the literature accompanying the appliance.

The serial number of this product may be found on the rear cover of the unit.

You should note the serial number of this unit in the space provided and retain this book as a permanent record of your purchase to aid identification in the event of theft.

Model No. WV-47

Serial No. _____

WARNING: TO PREVENT FIRE OR SHOCK HAZARD, DO NOT EXPOSE THIS APPLIANCE TO RAIN OR MOISTURE.

CONTENTS

INTRODUCTION	1
PRECAUTIONS	2
MAJOR OPERATING CONTROLS AND THEIR FUNCTIONS	3
INSTALLATION	4
CONNECTION	7
SPECIFICATION	8
COMPOSITION	8
STANDARD ACCESSORIES	8

INTRODUCTION

The WV-46/KT consists of fan/heater housing WV-46 and power supply WV-47.

The WV-46 is a drip proof housing with mounting angle bracket, fan/heater unit and sun shield.

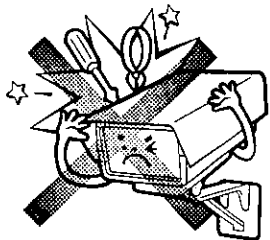
The WV-46 is designed for housing of solid state color camera WV-CD110.

The WV-47 is designed for power supply of WV-46.

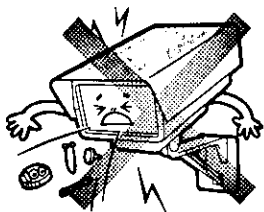
PRECAUTIONS

- o Do not attempt to disassemble the power supply or fan/heater housing.

In order to prevent electric shock, do not remove screws or covers. There are no user-serviceable parts inside.

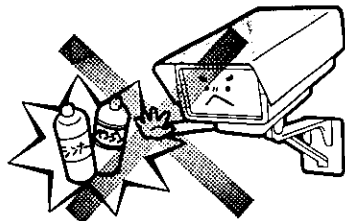


- o Do not drop the metallic parts through slots. This action could permanently damage the unit. Do turn power off immediately and refer servicing to qualified service personnel.



- o Do not use strong or abrasive detergents when cleaning the housing body.

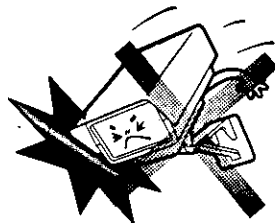
Do use a dry cloth to clean the housing when dirty. In case the dirt is hard to remove, use mild detergent and wipe gently.



- o Use the power supply or fan/heater housing under condition where temperature are within -22°F - 104°F (-30°C - $+40^{\circ}\text{C}$) for fan/heater housing, 14°F - 122°F (-10°C - $+50^{\circ}\text{C}$) for power supply and humidity is below 90%.

- o Do not abuse the housing
Avoid striking, shaking etc.

The housing could be damaged by improper handling or storage.

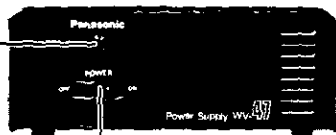


MAJOR OPERATING CONTROLS AND THEIR FUNCTIONS

Power Supply WV-47

Power Indicator
This light indicates that the power supply is ON.

Power ON/OFF Switch
This is seesaw type switch which turns the power supply ON and OFF.



Power Output Terminal
Connect two control cables to the connection terminal on the fan/heater unit.



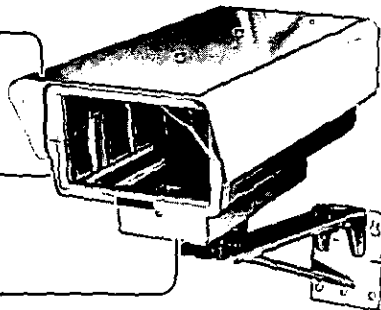
Power Cord
Connect the three prong plug to a AC power source (120V, 60Hz).

Fan/Heater Housing WV-46

Sun Shield
This sun shield protects the housing from direct sunlight.

Housing
The solid state color camera can be mounted.

Fan/Heater Unit
This fan/heater unit provides fan and heater.

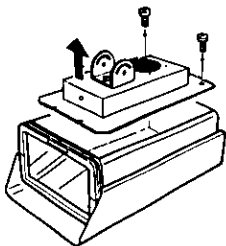


Housing Mounting Bracket
Install the housing mounting bracket to the wall using with four screws.

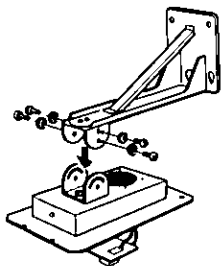
INSTALLATION

CAUTION – The installation should be made by qualified service personnel and should conform to all local codes (such as NEC).

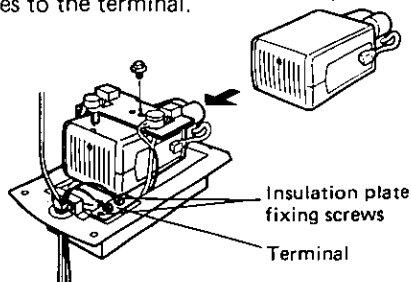
- 1) Remove two screws on the bottom plate of the housing and remove bottom plate.



- 2) Attach the fan/heater unit to the housing mounting bracket using with supplied four screws and washers.

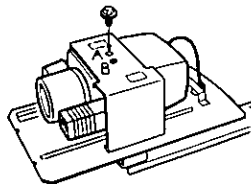


- 3) Temporary attach the housing mounting bracket with fan/heater unit to the wall using with upper two screw holes.
- 4) Remove two screws fixing insulation plate on the connector terminal and then connect two control cables to the terminal.

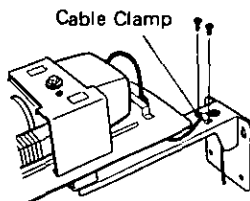


- 5) Attach the solid state color camera to the mounting angle of fan/heater unit using with supplied bolt and washer.

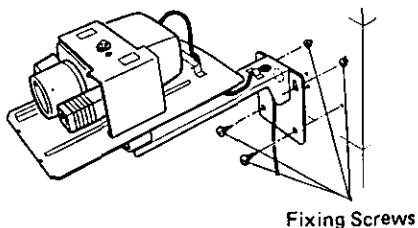
Connect the coaxial cable to the video output terminal of the solid state color camera and two control cables to the terminal.



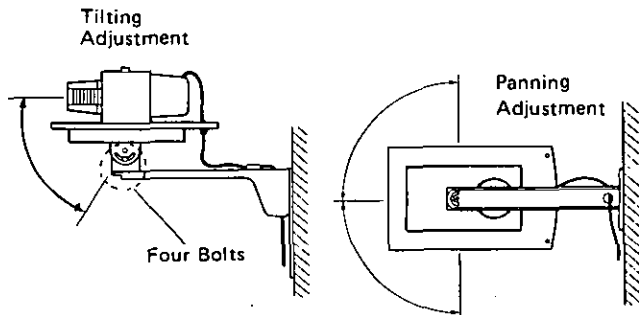
- 6) Clamp the coaxial cable and control cables to the housing mounting bracket.



- 7) Attach the housing mounting bracket to the wall using with four screws.
Refer to outline of housing mounting bracket on page 9.



- 8) Adjust the panning angle and tilting angle for appropriate position by loosening adjusting screws.



- 9) Connect the coaxial cable to the monitor and control cables to the power supply.

Select the location where the camera and housing weight can be properly supported and firmly attach the board to plywood, gypsum board or plaster board.

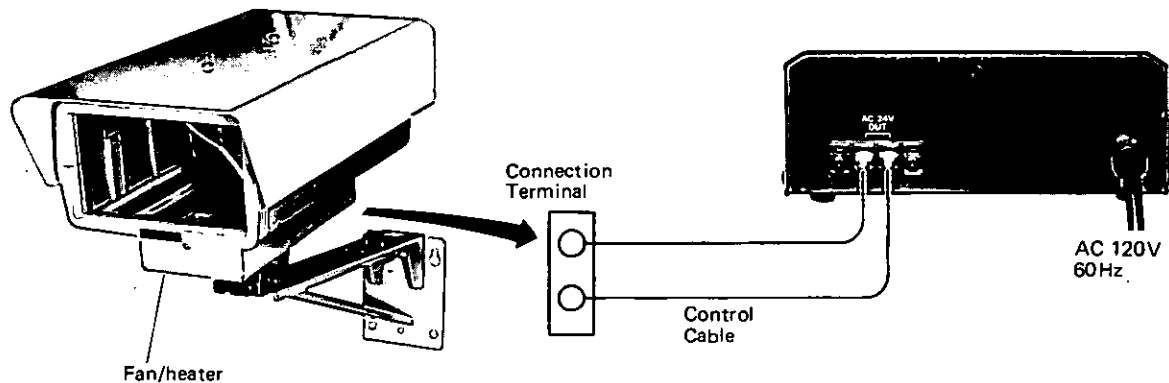
The plywood should have at least 25mm thickness. Use M5 type of bolt and nut for attaching to the steel.

Caution : Keep the Power Switch of the monitor in the OFF position during connection.

If the power of the unit is ON during connection for the camera, the camera will not function due to the protection circuit for the connection of wrong camera.

10) Attach the top cover onto the bottom plate using two screws.

CONNECTION



Caution : To prevent fire or shock hazard. Use class 1 wiring only.

Maximum extensible cable length

Copper wire gauge	Resistance (Ω /km)	Maximum Extensible Cable Length (m)
AWG 18 0.83 mm ²	18.1	350
AWG 16 1.31 mm ²	13.0	480

SPECIFICATIONS

● Drip Proof Fan/heater Housing WV-46

Power Source :	Supplied from power supply WV-47 24V AC 60Hz
Operating Temperature :	-22°F - 104°F (-30°C - +40°C)
Dimensions :	6-11/16" (W) x 10-11/16" (H) x 14-3/8" (D) 170(W) x 271(H) x 365(D) mm
Weight :	5.1 lbs (2.3 kg)

● Power Supply WV-47

Power Source :	120V AC 60Hz
Power Consumption :	Approximate 30W
Power Supply :	24V AC 60Hz 0.85A
Operating Temperature :	14°F - 122°F (-10°C - +50°C)
Dimensions :	6-5/16" (W) x 2-1/2" (H) x 4-1/8" (D) 160(W) x 63(H) x 104(D) mm
Weight :	3.3 lbs (1.5kg)

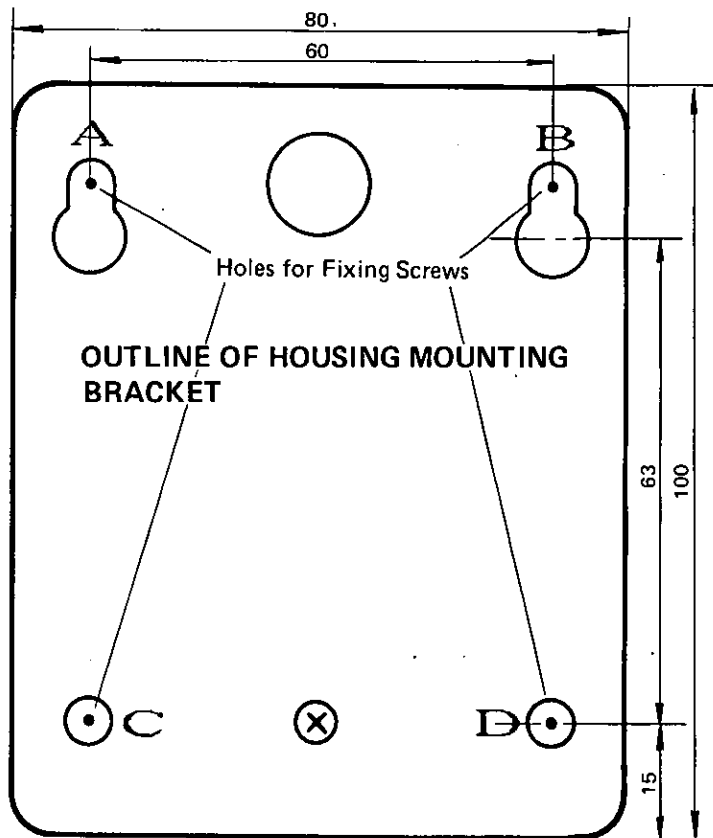
COMPOSITION

Drip Proof Fan/Heater Housing WV-46	1
(with Housing Mounting Bracket)	
Power Supply WV-47	1

STANDARD ACCESSORIES

WV-46

- Camera Fixing Bolt
with Washer 1
- Mounting Bracket Fixing
Screws with Washers 4



PANASONIC INDUSTRIAL COMPANY, Division of Matsushita Electric Corporation of America

Executive Office: One Panasonic Way, Secaucus, New Jersey 07094 (201) 348-7000

Audio-Video Systems Division Executive Office: One Panasonic Way, Secaucus, New Jersey 07094 (201) 348-7000

Northeast Regional Office: Panasonic Audio-Video Systems, 333 Meadowlands Parkway, Secaucus, New Jersey 07094 (201) 348-7620

Northwest Regional Office: Panasonic Audio-Video Systems, 4060 Lind Avenue, Renton, Washington 98055 (206) 251-5209

Midwest Regional Office: Panasonic Audio-Video Systems, 425 East Algonquin Road, Arlington Heights, Illinois 60005 (312) 981-4826

Southeast Regional Office: Panasonic Audio-Video Systems, 3 Meca Way, Norcross, Georgia 30093 (404) 923-3663

Southwest Regional Office: Panasonic Audio-Video Systems, 1825 Walnut Hill Lane Irving, Texas 75062 (214) 258-2828

Western Regional Office: Panasonic Audio-Video Systems, 6550 Katella Avenue, Cypress, California 90630 (714) 895-7200

PANASONIC HAWAII INC.

91-238 Kauhii Street Ewa Beach P.O. Box 774 Honolulu, Hawaii 96808-0774 (808) 682-2851

MATSUSHITA ELECTRIC OF CANADA LIMITED

5770 Ambler Drive, Mississauga, Ontario, Canada L4W 2T3 (416) 624-5010

PANASONIC SALES COMPANY

Ave 65 de Infanteria, Km. 9.7, Victoria Industrial Park, Carolina, Puerto Rico 00630 (809) 769-4320